

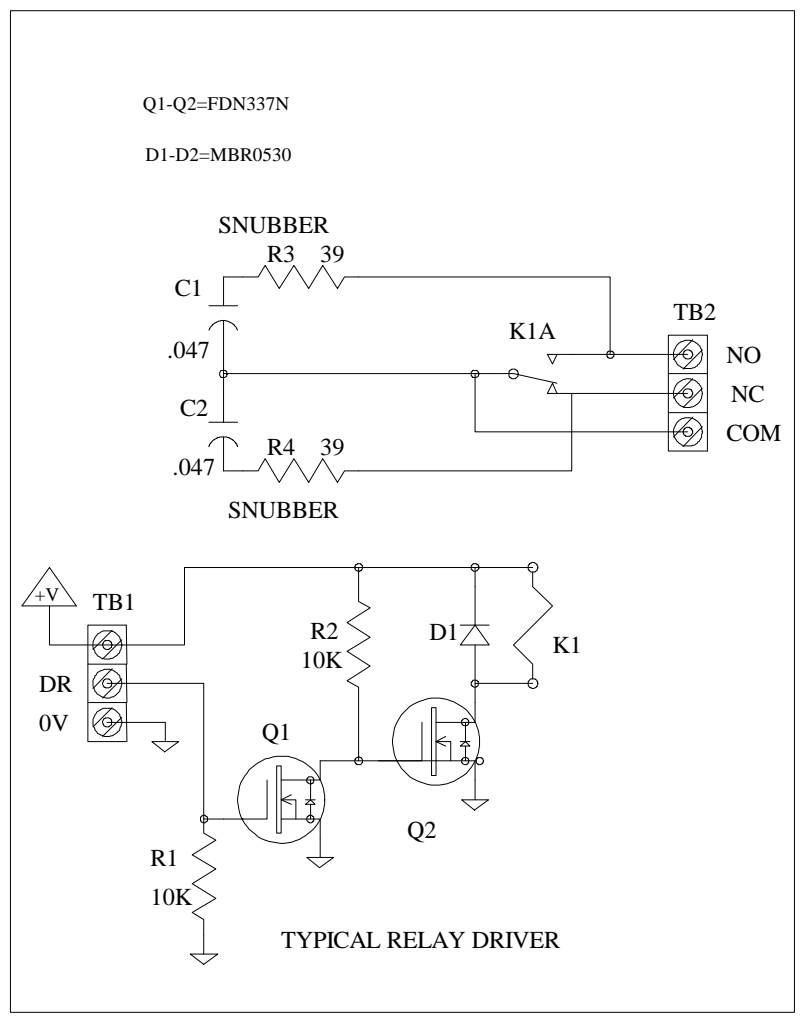
8 | 7 | 6 | 5 | 4 | 3 | 2 | 1

D

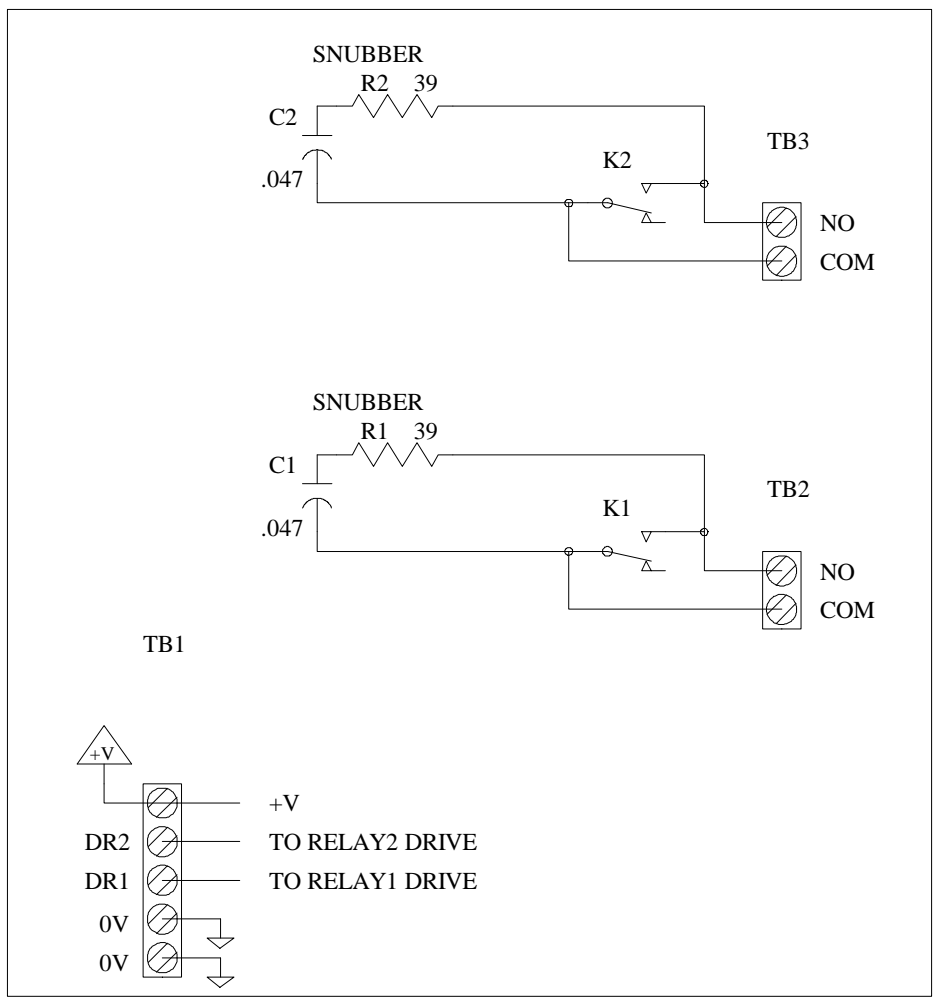
C

B

A



RELAY1\_DR



RELAY2\_DR

TITLE: RELAY BOARD W/DRIVER			
Company: HMS Electronics Inc.			
SIZE <b>A</b>	DRAWN: RDH ENGR: R. HARKEY	DRAWING NUMBER RELAY_DR_S	REV. 1
DATE:		SHEET	OF

8 | 7 | 6 | 5 | 4 | 3 | 2 | 1