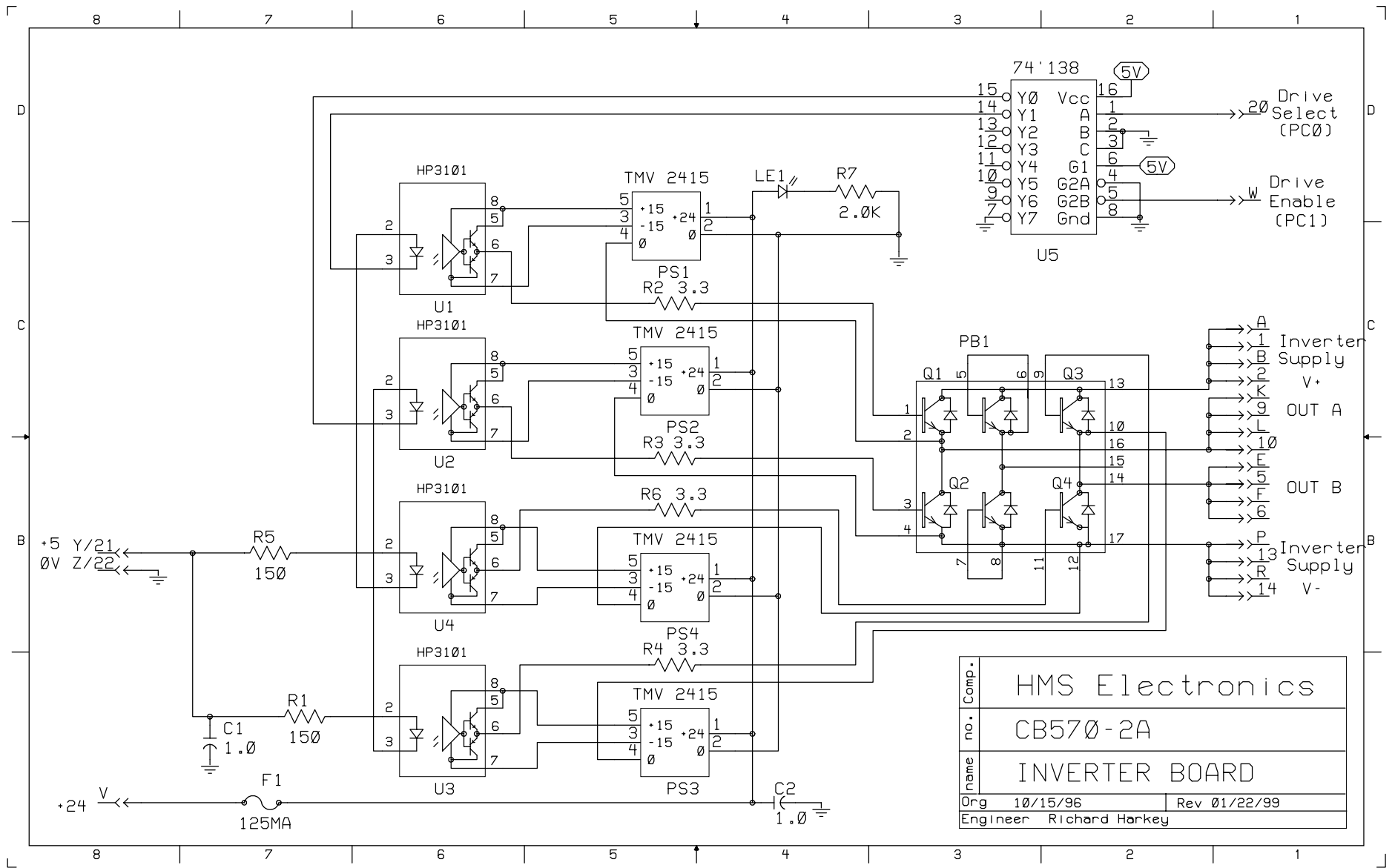
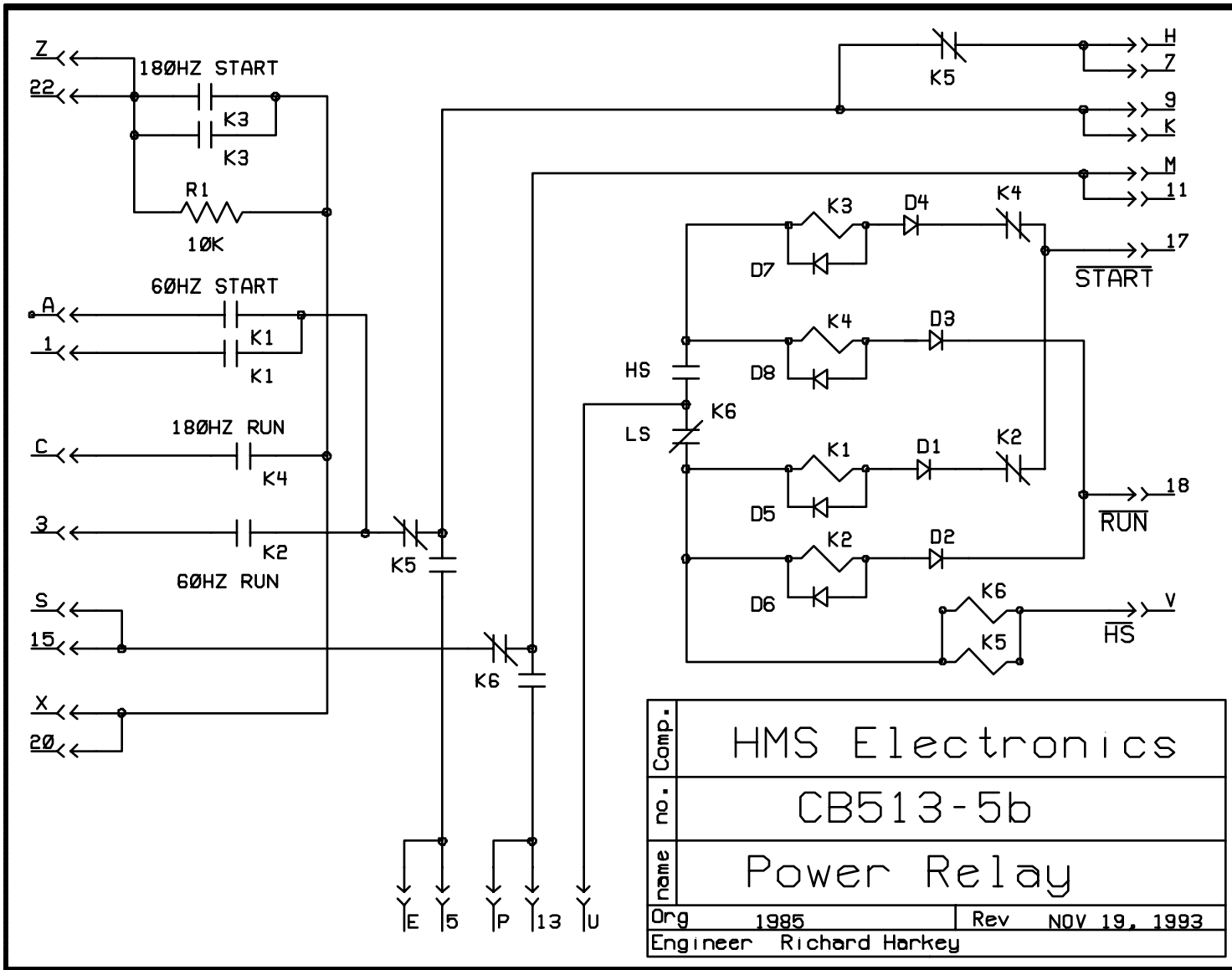
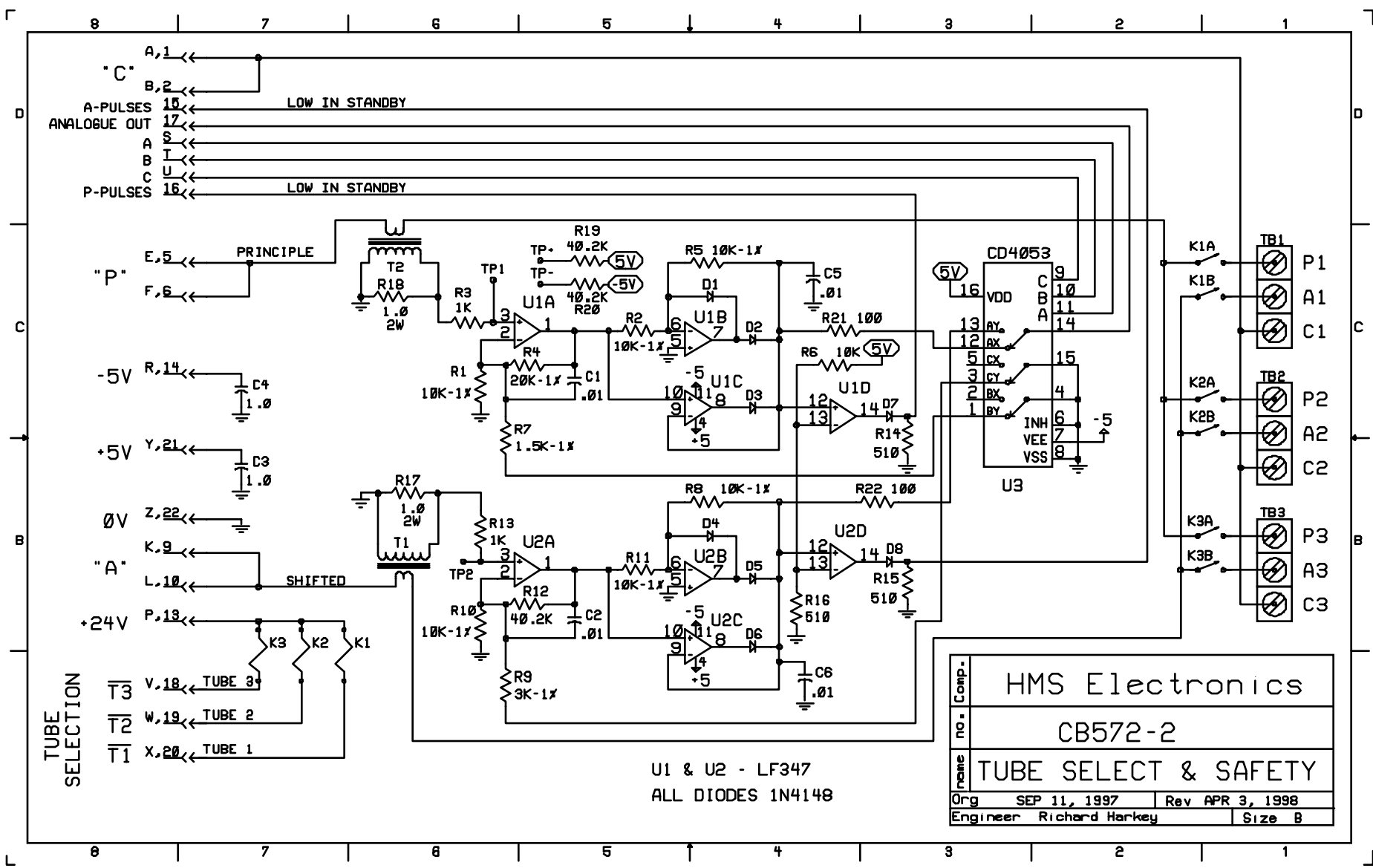


Comp.	HMS Electronics	
no.	CB570	
name	INVERTER BOARD	
Org	10/15/96	Rev
Engineer	Richard Harkey	



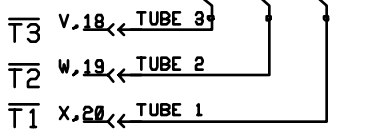




U1 & U2 - LF347  
 ALL DIODES 1N4148

name	HMS Electronics	
no.	CB572-2	
Comp.	TUBE SELECT & SAFETY	
Org	SEP 11, 1997	Rev APR 3, 1998
Engineer	Richard Harkey	Size B

TUBE SELECTION



+24V

"A"

0V

+5V

-5V

"P"

P-PULSES

A

A-PULSES

"C"

8

8

7

7

6

6

5

5

4

4

3

3

2

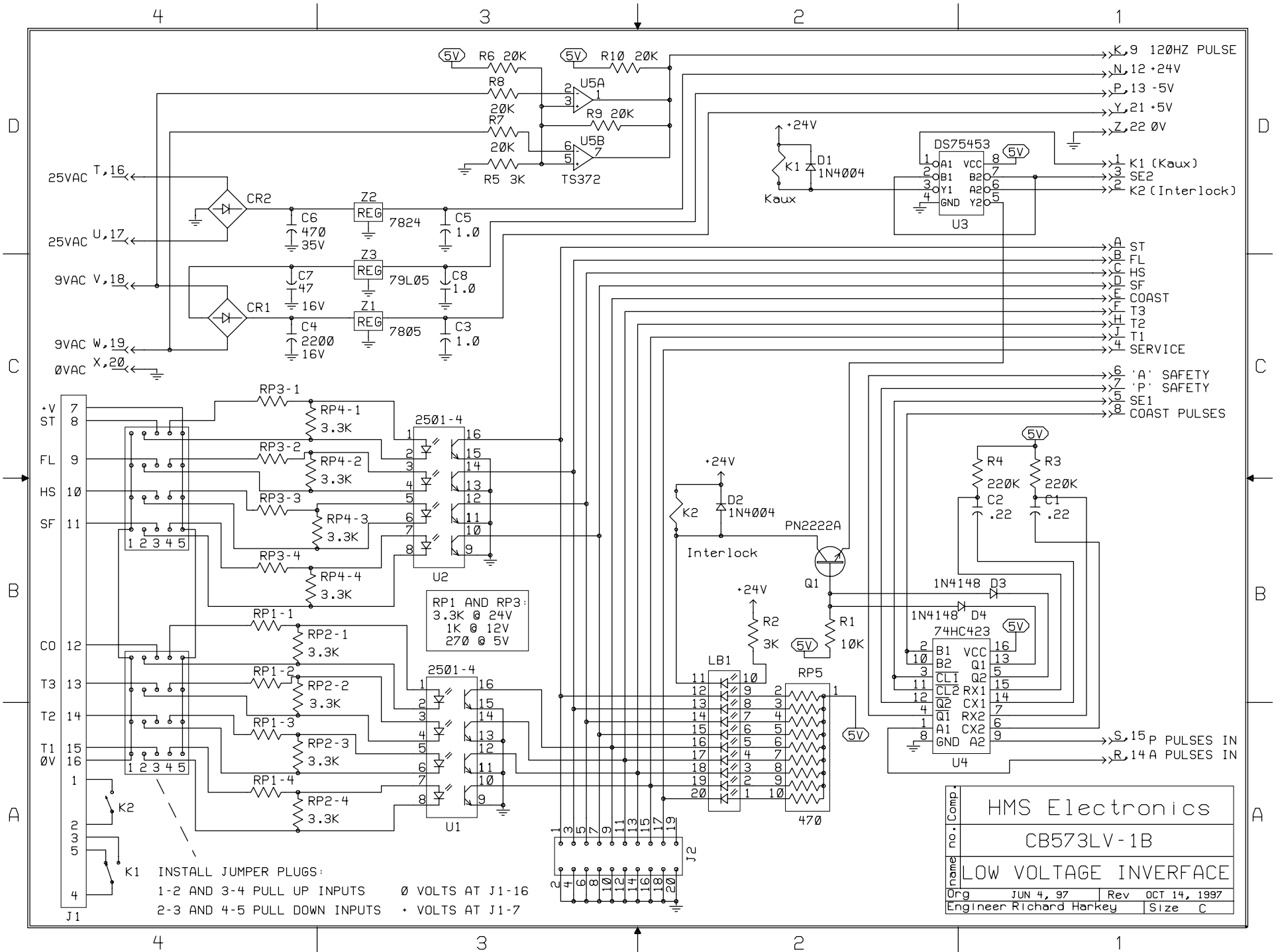
2

1

1

7

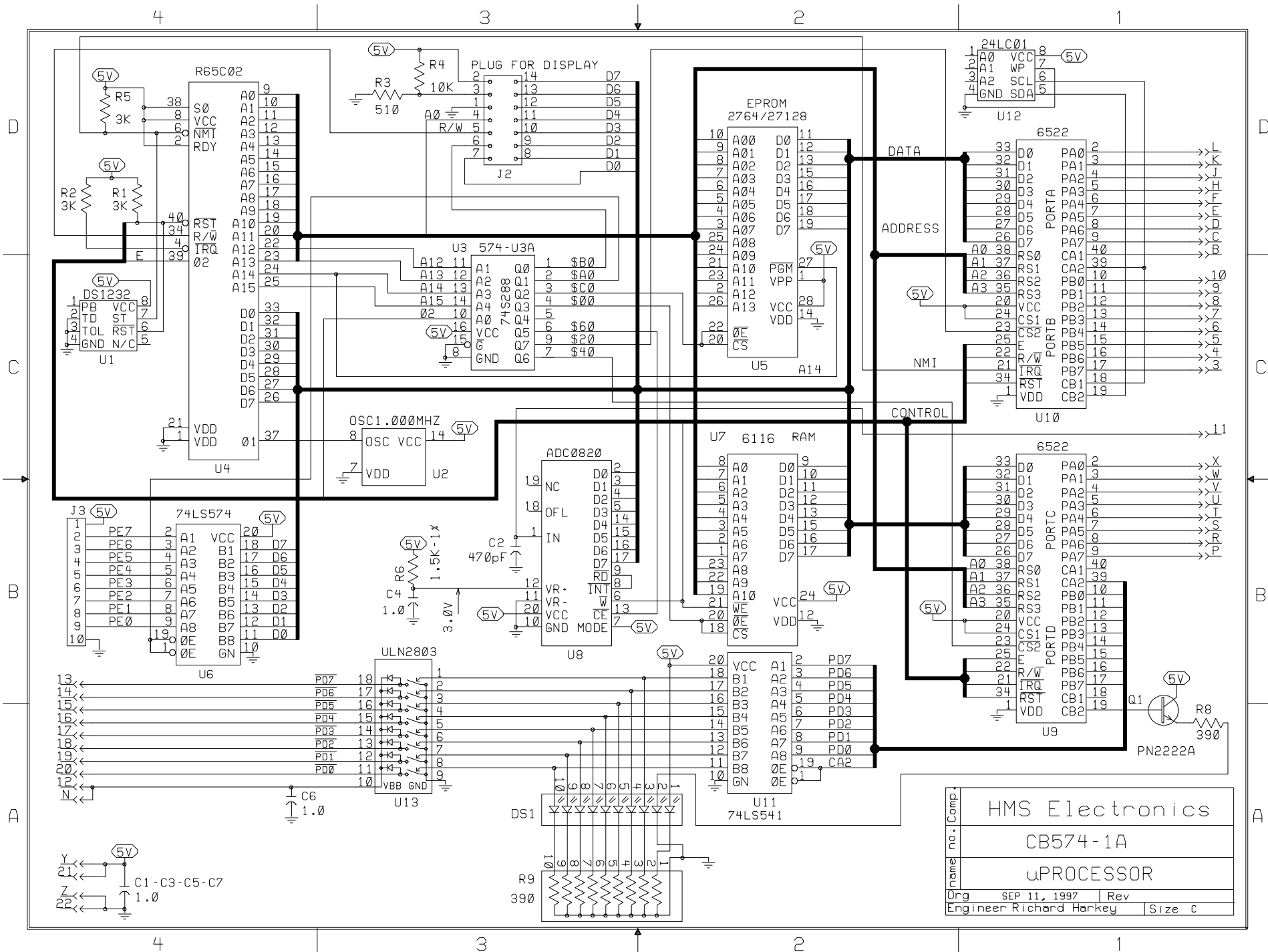
7



INSTALL JUMPER PLUGS:  
 1-2 AND 3-4 PULL UP INPUTS    0 VOLTS AT J1-16  
 2-3 AND 4-5 PULL DOWN INPUTS    + VOLTS AT J1-7

no. 1	HMS Electronics	
	CB573LV-1B	
name	LOW VOLTAGE INTERFACE	
Org	JUN 4, 97	Rev OCT 14, 1997
Engineer	Richard Harkey	Size C





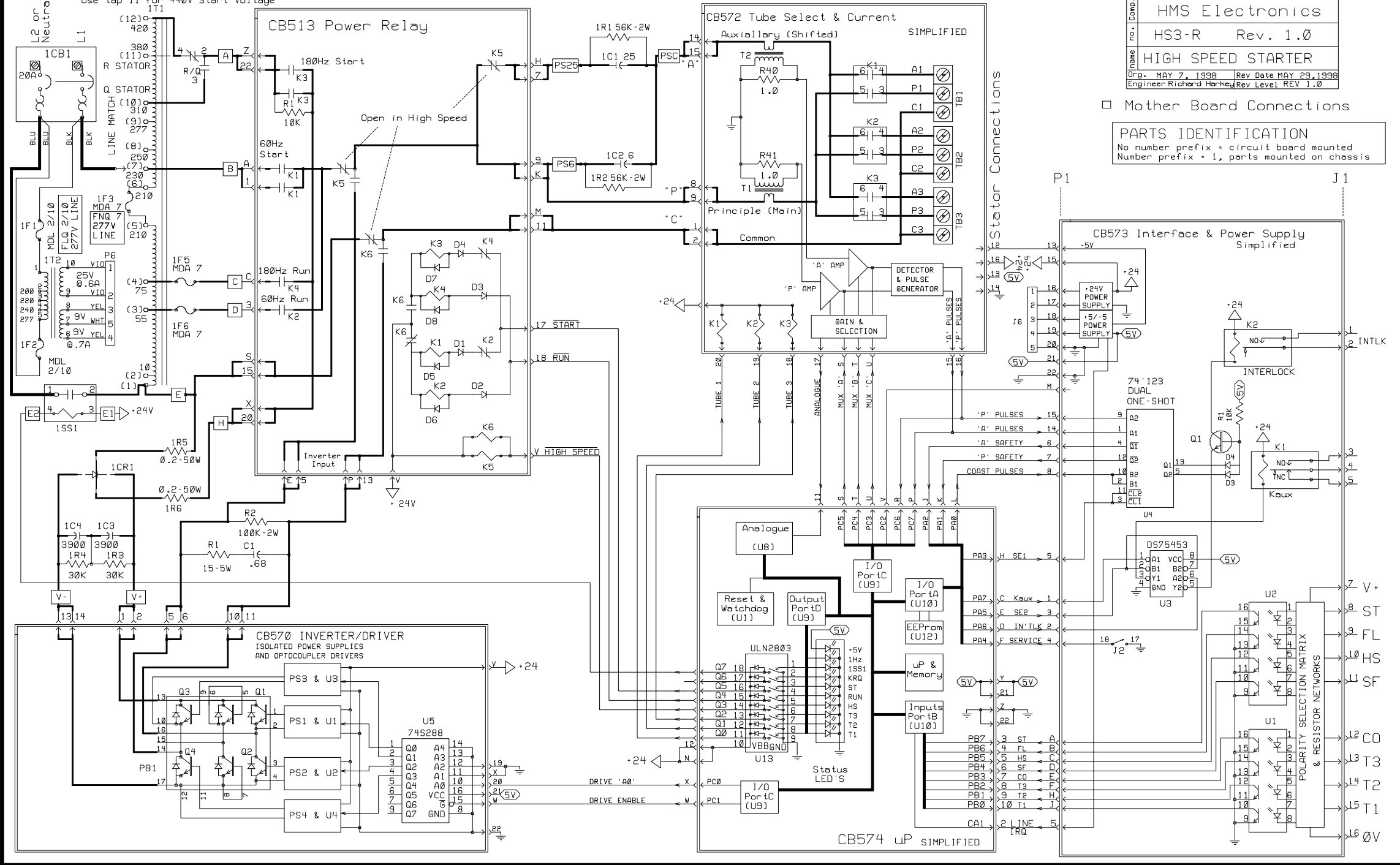
no.	Comp.	HMS Electronics	
no.		CB574-1A	
name		μPROCESSOR	
Org	SEP 11, 1997	Rev	
Engineer	Richard Harkey	Size	c

Use tap 12 for 500V Start Voltage ('R' Stator only)  
 Use tap 11 for 440V Start Voltage

Company	HMS Electronics	
no.	HS3-R	Rev. 1.0
name	HIGH SPEED STARTER	
Orig.	MAY 7, 1998	Rev Date MAY 29, 1998
Engineer	Richard Harkey	Rev Level 1.0

□ Mother Board Connections

**PARTS IDENTIFICATION**  
 No number prefix = circuit board mounted  
 Number prefix = 1, parts mounted on chassis

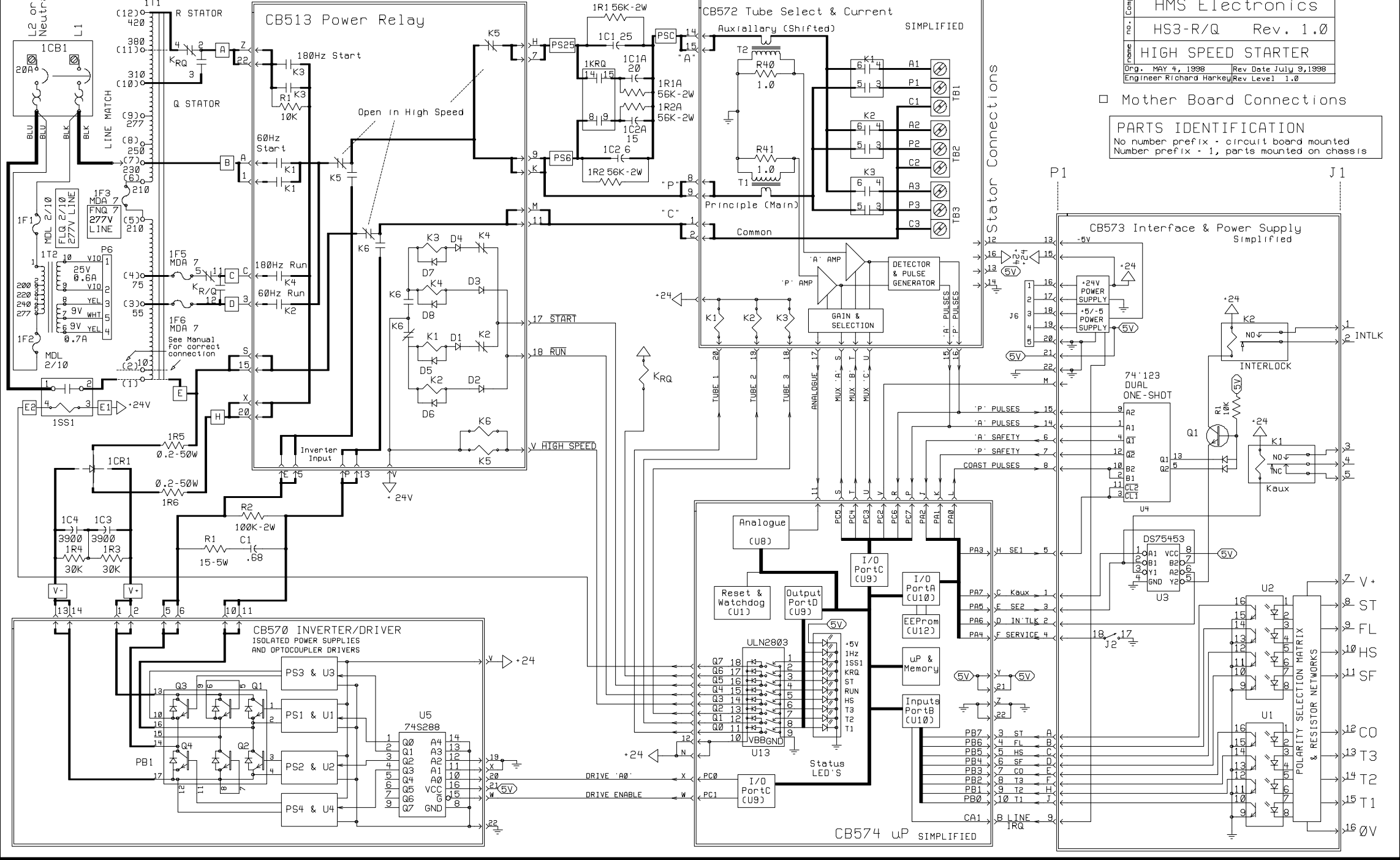


Stator Connections

POLARITY SELECTION NETWORKS & RESISTOR NETWORKS



Use tap 12 for 500V Start Voltage ('R' Stator only)  
 Use tap 11 for 440V Start Voltage



Comp.	HMS Electronics
no.	HS3-R/Q Rev. 1.0
name	HIGH SPEED STARTER
Orig.	MAY 4, 1998
Rev Date	July 9, 1998
Engineer	Richard Harkey
Rev Level	1.0

□ Mother Board Connections

**PARTS IDENTIFICATION**  
 No number prefix - circuit board mounted  
 Number prefix - 1, parts mounted on chassis

Stator Connections

