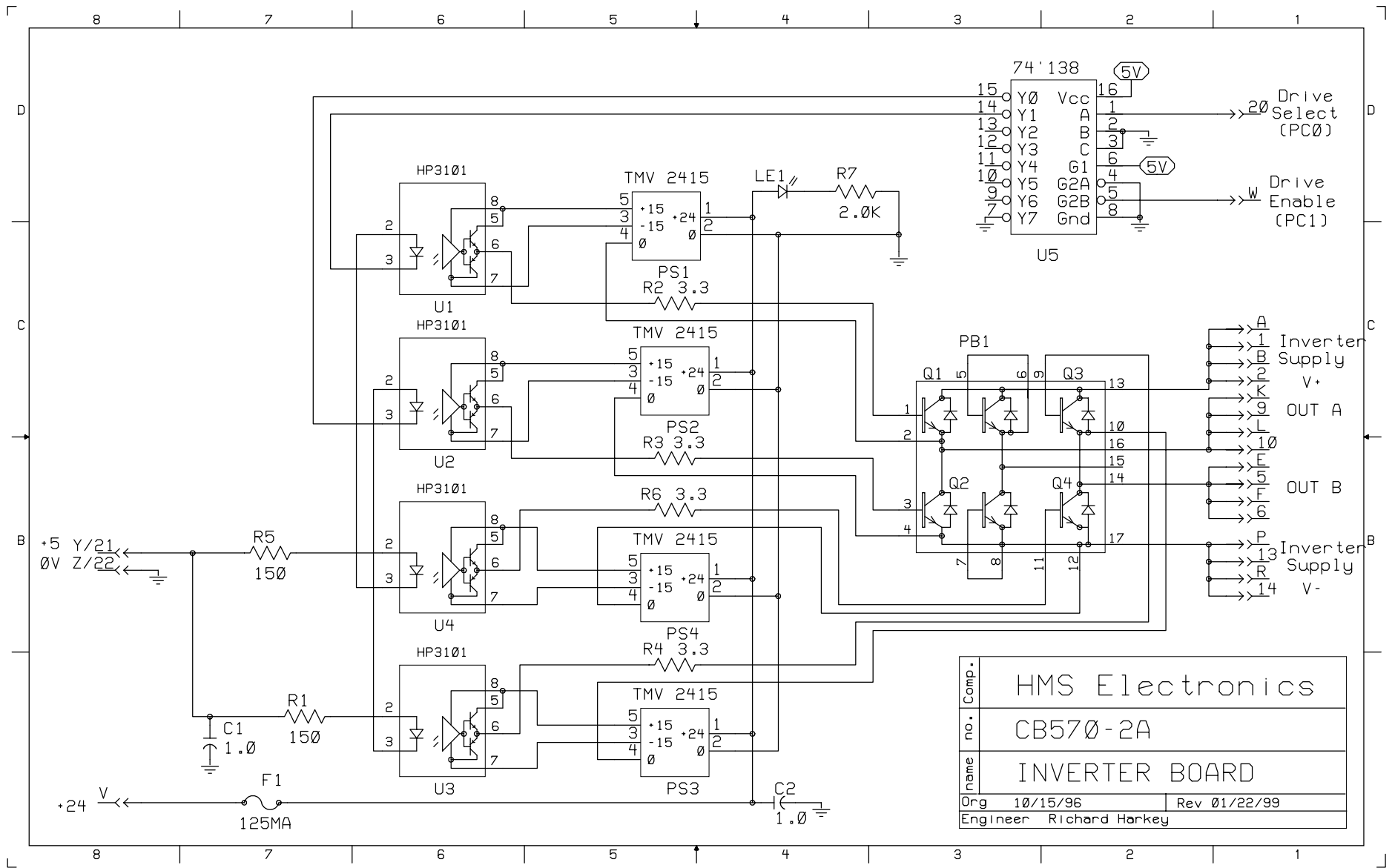
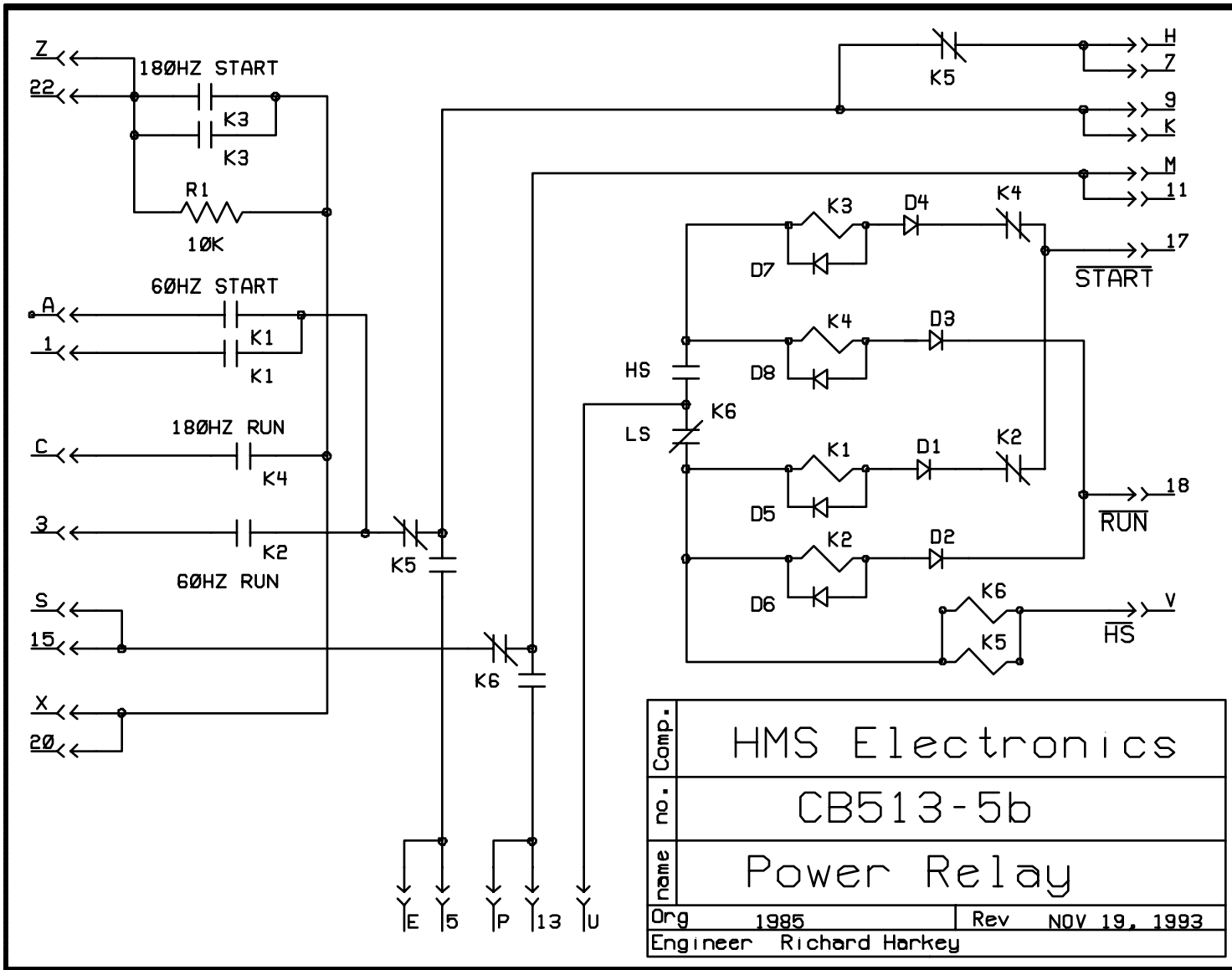
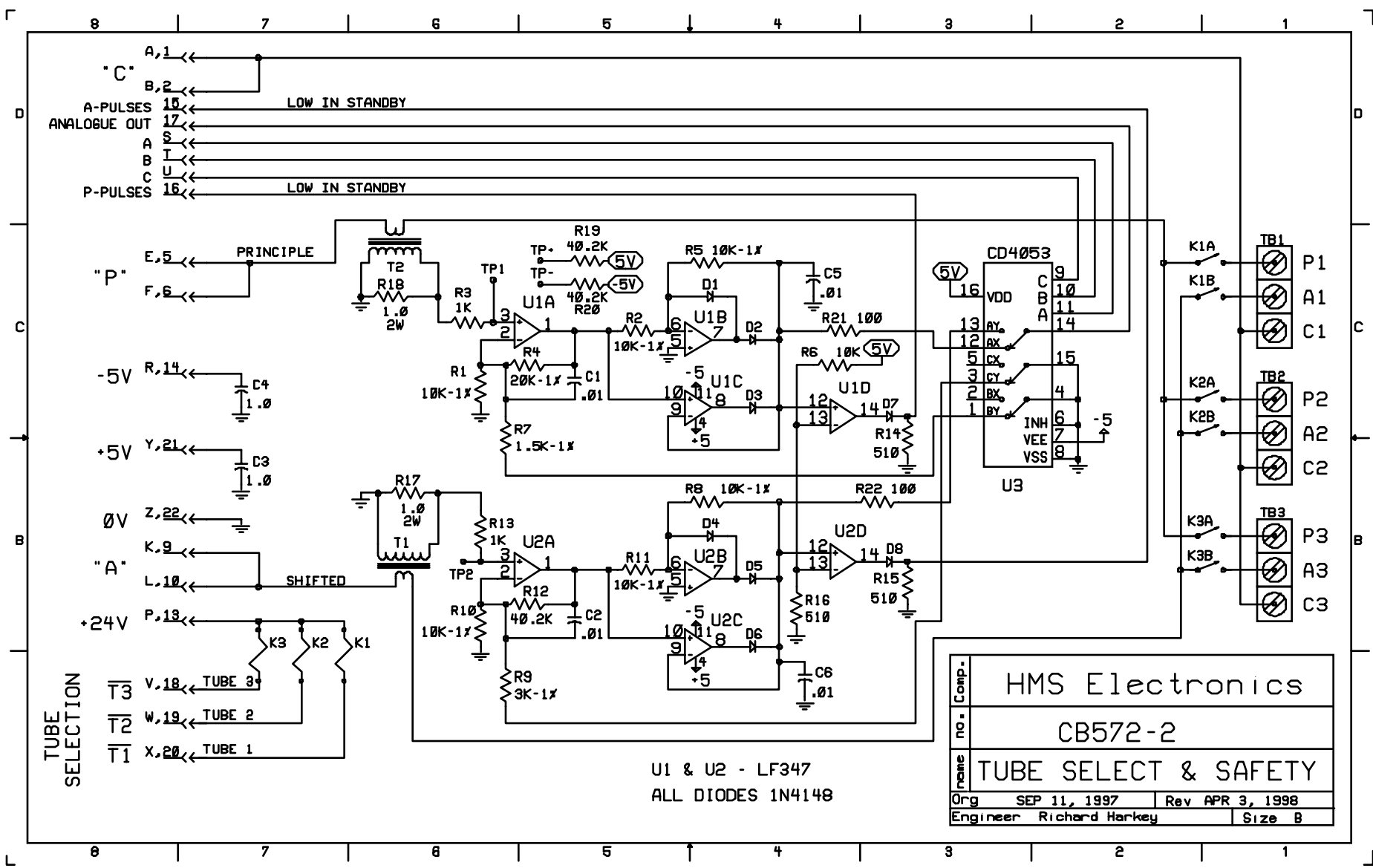


Comp.	HMS Electronics	
no.	CB570	
name	INVERTER BOARD	
Org	10/15/96	Rev
Engineer	Richard Harkey	



Comp.	HMS Electronics	
no.	CB570-2A	
name	INVERTER BOARD	
Org	10/15/96	Rev 01/22/99
Engineer	Richard Harkey	

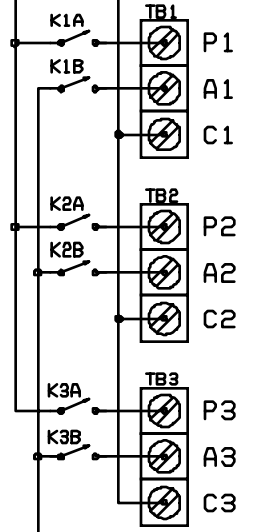
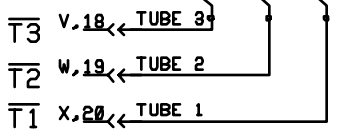


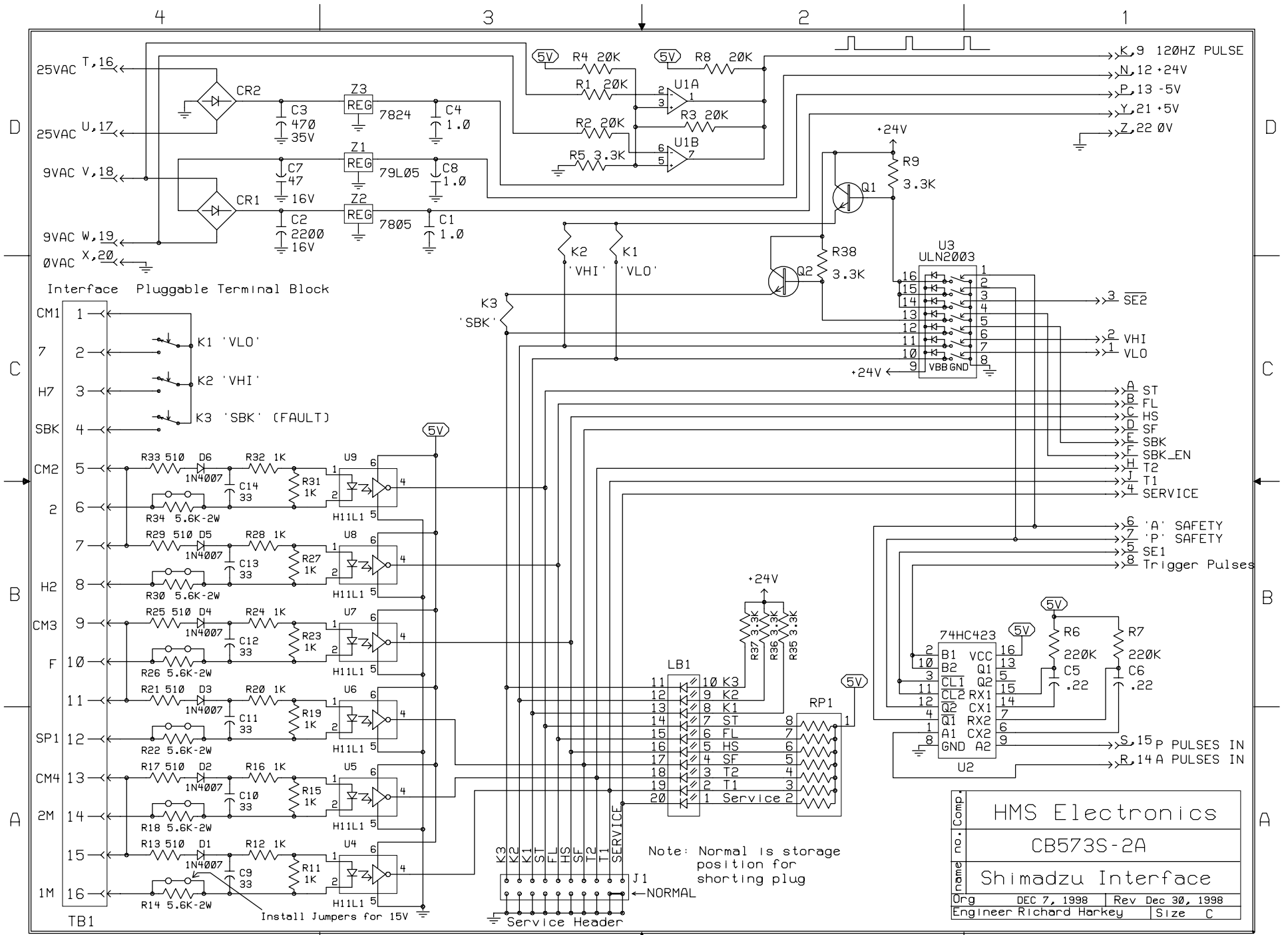


U1 & U2 - LF347
 ALL DIODES 1N4148

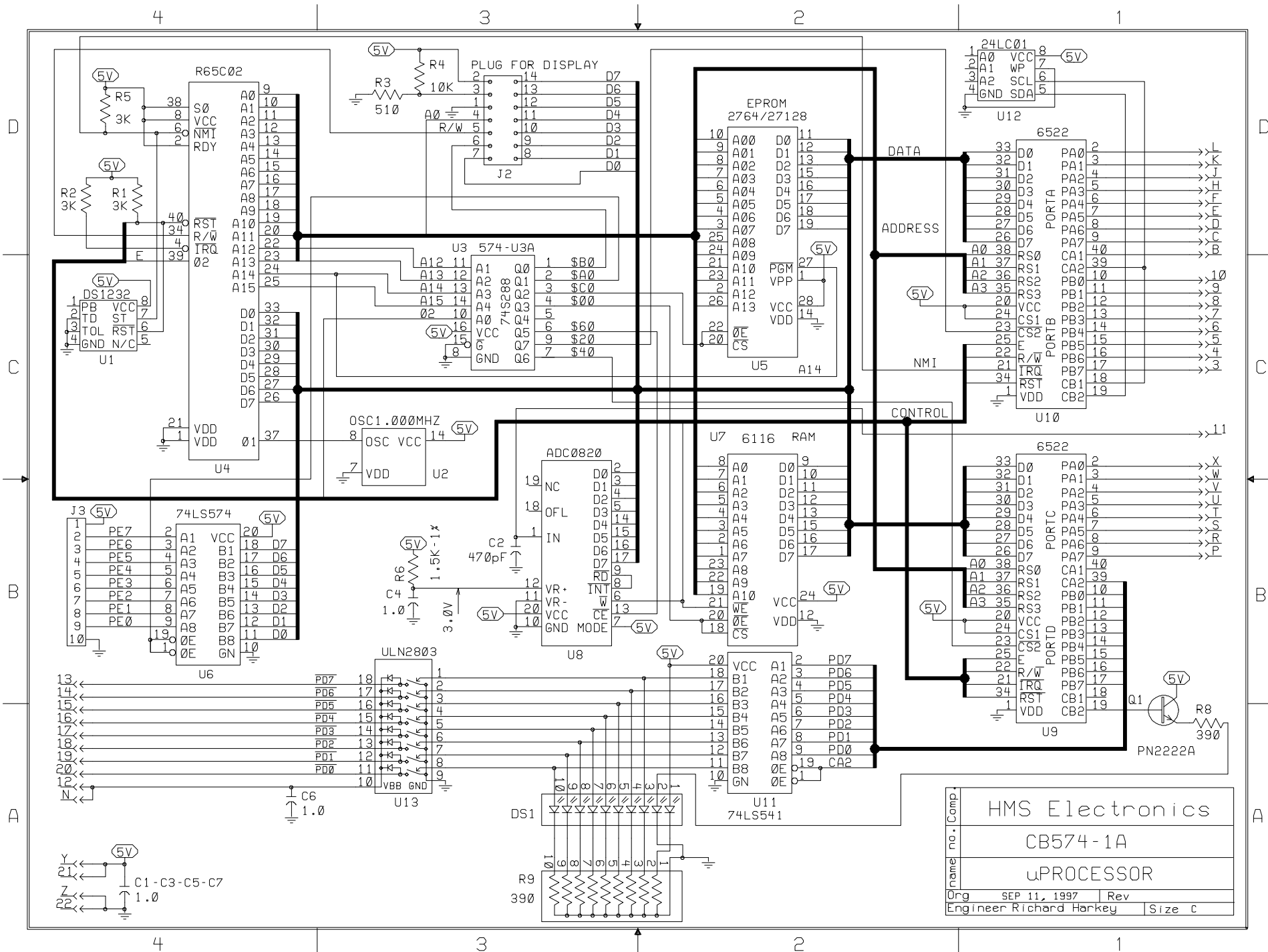
name	HMS Electronics	
no.	CB572-2	
Comp.	TUBE SELECT & SAFETY	
Org	SEP 11, 1997	Rev APR 3, 1998
Engineer	Richard Harkey	Size B

TUBE SELECTION





Comp. no.	HMS Electronics	
name	CB573S-2A	
name	Shimadzu Interface	
Org	DEC 7, 1998	Rev Dec 30, 1998
Engineer	Richard Harkey	Size C



no.	Comp.	HMS Electronics	
name		CB574-1A	
		μPROCESSOR	
Org	SEP 11, 1997	Rev	
Engineer	Richard Harkey	Size	c

Comp.	HS3RQ_S.DBF
no.	HMS Electronics
Rev.	HS3-R/Q Rev. 1.0
name	HIGH SPEED STARTER
Org.	Dec 16, 1998
Rev Date	
Engineer	Richard Harkey
Rev Level	1.0

Shimadzu Interface
 □ Mother Board Connections

PARTS IDENTIFICATION
 No number prefix = circuit board mounted
 Number prefix = 1, parts mounted on chassis

